

TITLE: BREAD MAKER
INVENTORS: Yong-hyun KWON et al.
SERIAL NO.: Unassigned
DOCKET NO.: 1572.1221

FIG. 1

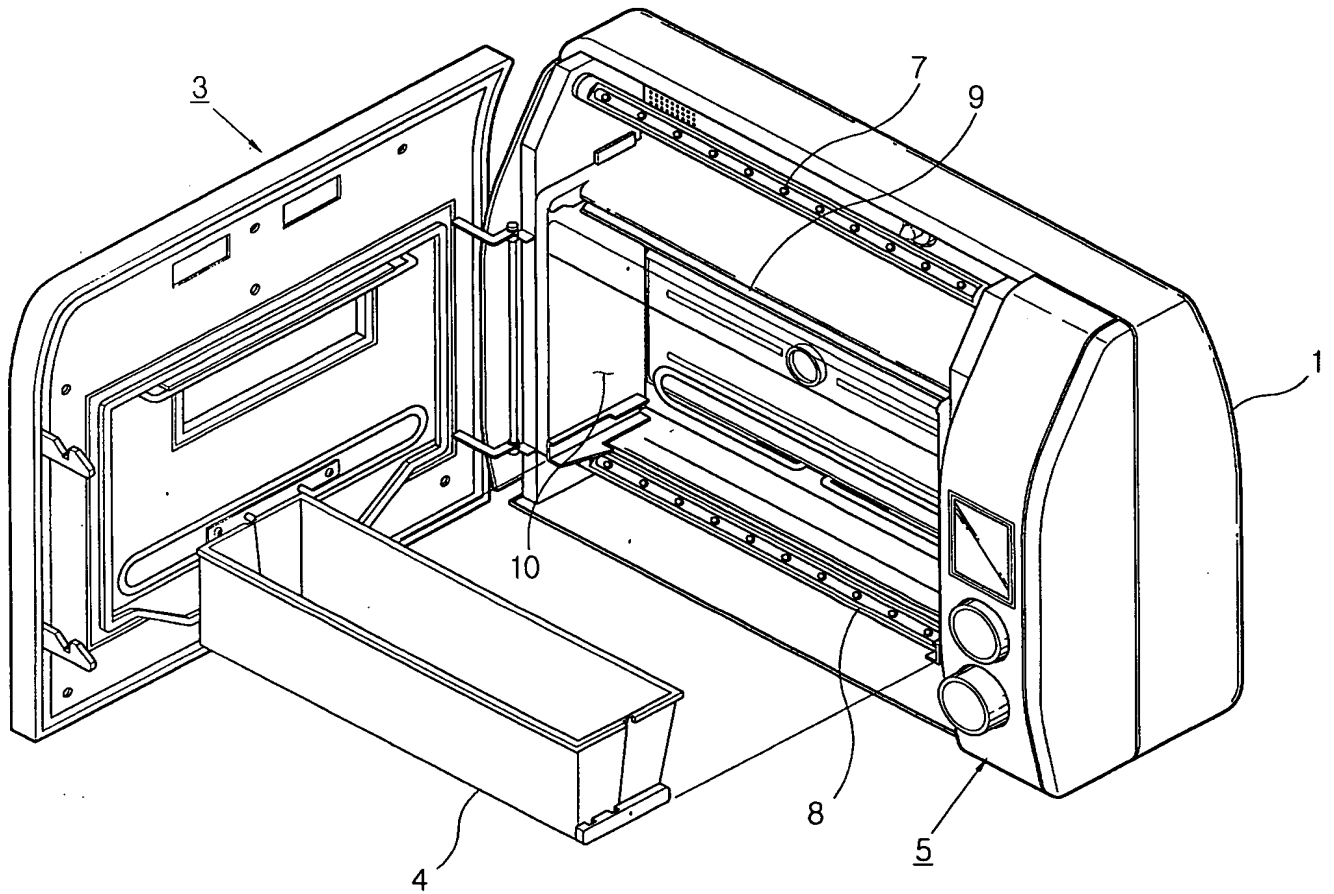


FIG. 2

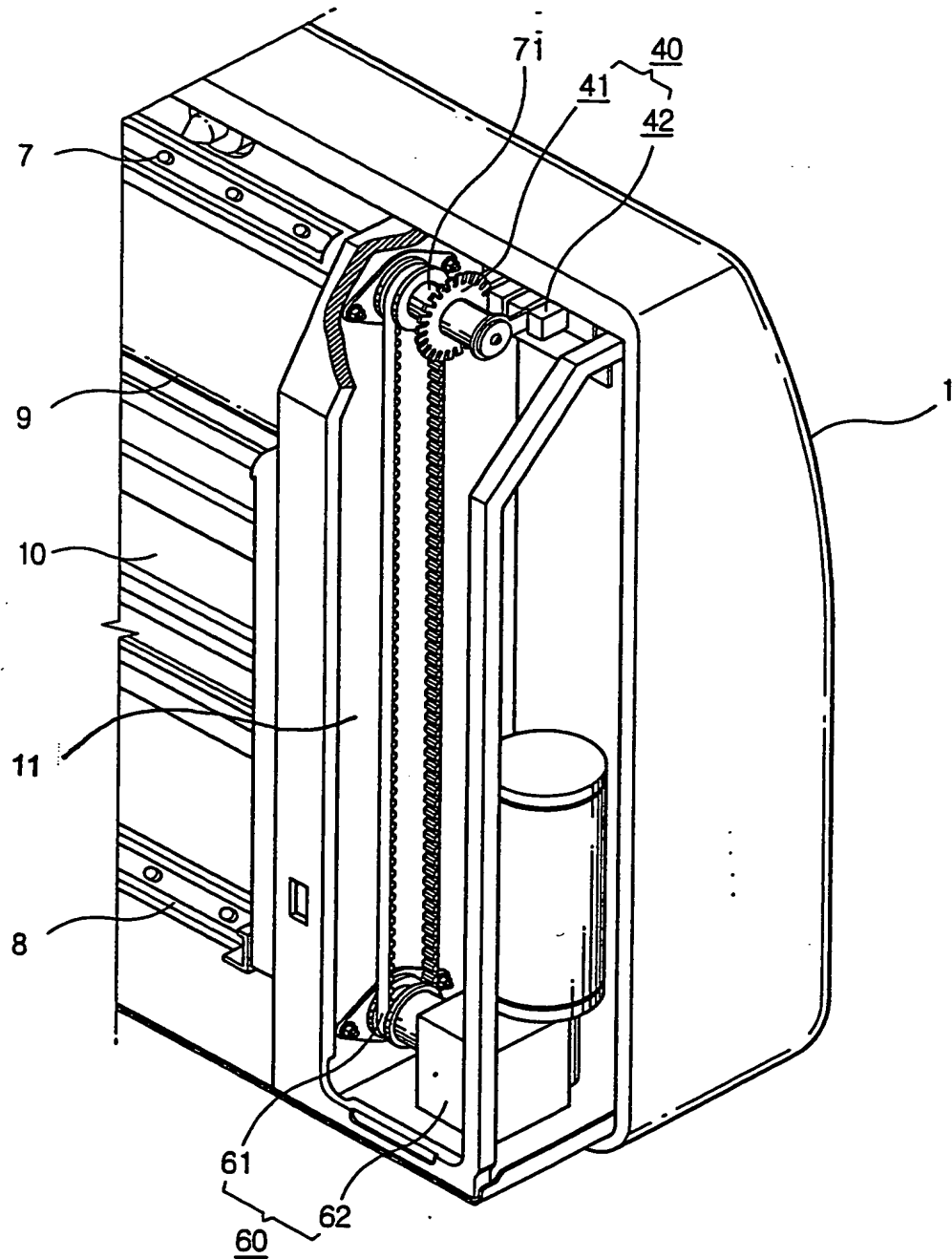


FIG. 3

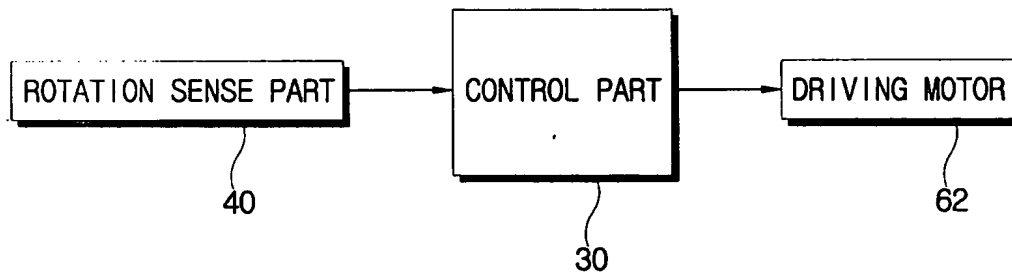


FIG. 4

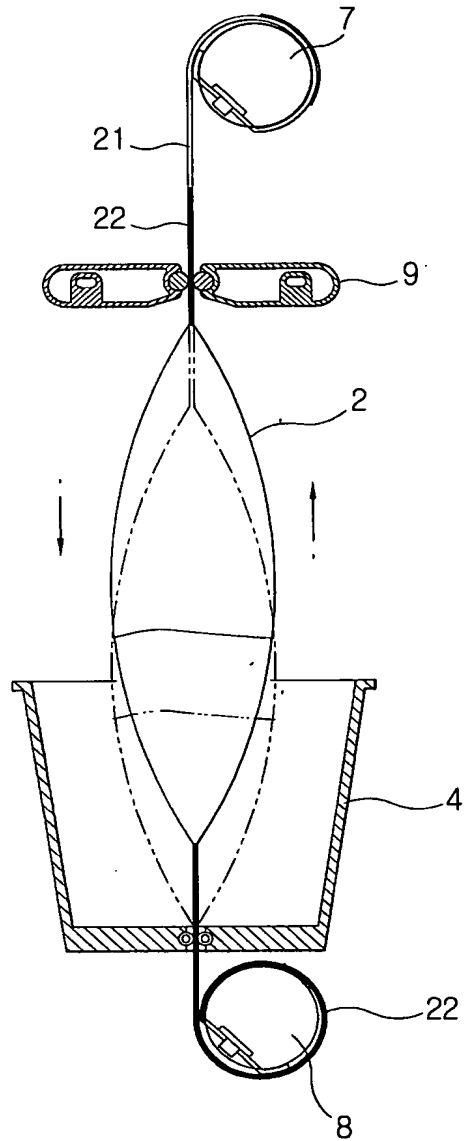


FIG. 5

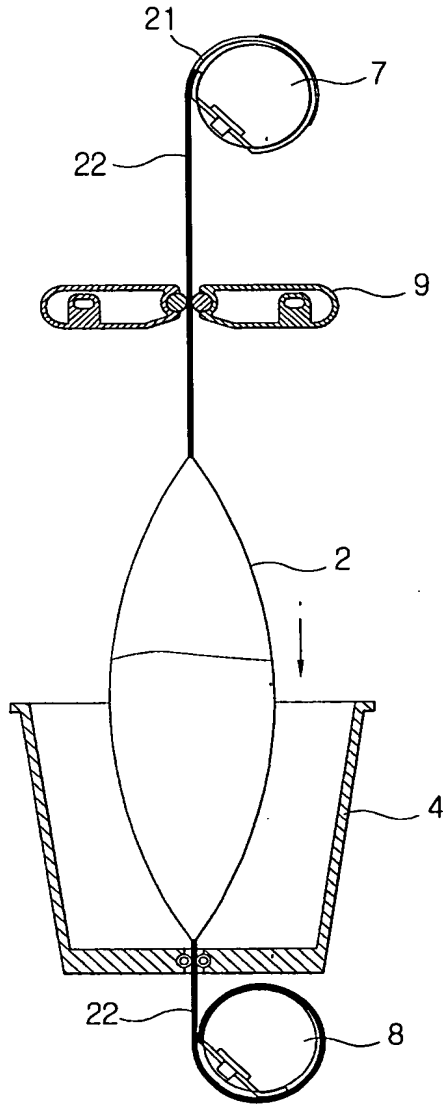


FIG. 6
(PRIOR ART)

